



 INSTRUCTIONS	This manual contains important warnings and information. READ AND RETAIN FOR REFERENCE
--	---

2 Quart Pressure Cup

50 psi (3.5 bar) Maximum Working Pressure

Part No. 214-627, Series B

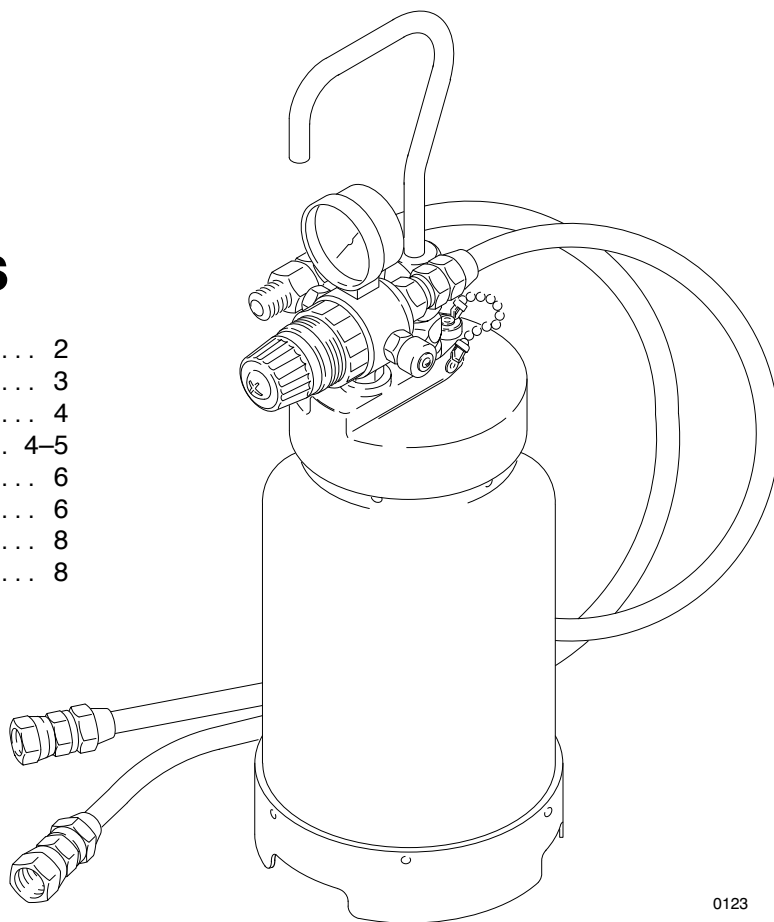
0-50 psi (0-3.5 bar) Regulated Pressure Range

Part No. 235-117, Series A

0-15 psi (0-1 bar) Regulated Pressure Range

Table of Contents

Preparation for Operation	2
Operation	3
Service	4
Parts	4-5
Accessories	6
Graco Toll-Free Phone Numbers	6
Technical Data	8
Warranty	8



0123

WARNING

Hazard of using Fluid Containing Halogenated Hydrocarbons

Never use 1, 1, 1-trichloroethane, methylene chloride, other halogenated hydrocarbon solvents or fluid containing such solvents in this equipment. Such use could result in a serious chemical reaction, with the possibility of explosion, which could cause death, serious bodily injury and/or substantial property damage.

Consult your fluid suppliers to ensure that the fluids being used are compatible with aluminum parts.

Preparation for Operation

Prepare the paint or other coating according to the manufacturer's instructions. Strain the paint through a fine nylon mesh bag, available at paint dealers. Fill the cup (Ref No. 27, page 4) with paint and screw it securely to the lid (19). Torque to 65 in-lb (10 N.m).

Connect the air (23) and fluid (25) hoses as shown in Fig. 1. The recommended auxiliary equipment shown in Fig. 1 can be found in the **Accessories** section on page 6.

KEY

- A Main Air Supply
- B On-Off Valve
- C 1/4 npt Air Inlet
- D Air Filter
- E Locking Screw
- F Air Spray Gun
- G Air Adjusting Valve
- 5 Air Regulator
- 20 Air Control Valve
- 23 Air Hose
- 25 Fluid Hose

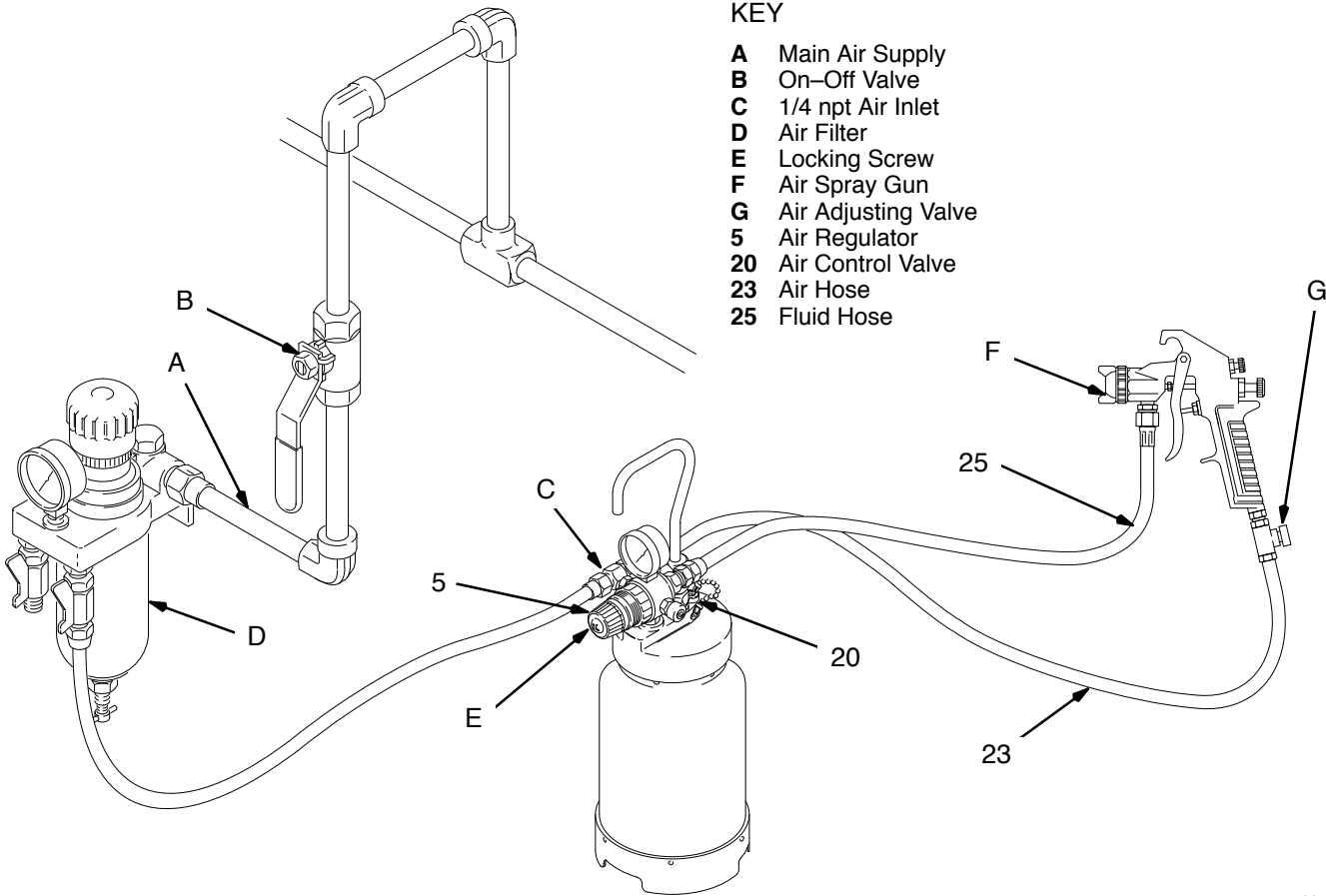


Fig. 1

03741

Operation

WARNING

To reduce the risk of over-pressurizing the equipment, which could cause serious bodily injury, including splashing in the eyes or on the skin, **never** exceed 50 psi (3.5 bar) air pressure to the cup. The relief valve is preset to relieve pressure at 50 psi (3.5 bar). **Do not** alter settings on the relief valve.

1. Turn on the air supply.
2. Turn the cup air control valve (20) *clockwise*, all the way in.
3. Turn the air regulator (5) knob in until the gauge reads 10 psi (0.7 bar). Turn the air regulator's locking screw (E) *clockwise* to lock it and *counterclockwise* to unlock it.
4. Spray a test panel. If the paint is not fully atomized, either decrease the cup fluid pressure with the air regulator (5), or increase the atomizing air pressure with the air adjusting valve (G). Always use the lowest possible pressure needed to achieve the desired results.
5. To decrease the cup fluid pressure, turn the air regulator (5) knob out (*counterclockwise*). Turn the cup air control valve (20) *counterclockwise* momentarily to bleed off the excess air. Then reset it by turning in the air regulator knob.

Service

Cleaning the Cup

WARNING

To reduce the risk of serious bodily injury, including splashing in the eyes or on the skin, **always** relieve pressure in the cup (27) before removing the lid (19) by turning the air regulator (5) knob all the way out (*counterclockwise*) and unscrewing the air control valve (20) thumbscrew.

1. Relieve pressure in the cup by following the warning above.
2. Unscrew the air cap retaining ring on the spray gun about 3 turns. Hold a rag over the air cap and trigger the gun to force paint back through the hose (25) and into the cup (27).

3. Turn off air supply. Empty the paint from the cup (27) and clean the cup and lid (19). Be sure the solvent used is compatible with the fluid being sprayed.

4. Check the gasket (15) inside the lid (19). Replace if damaged.

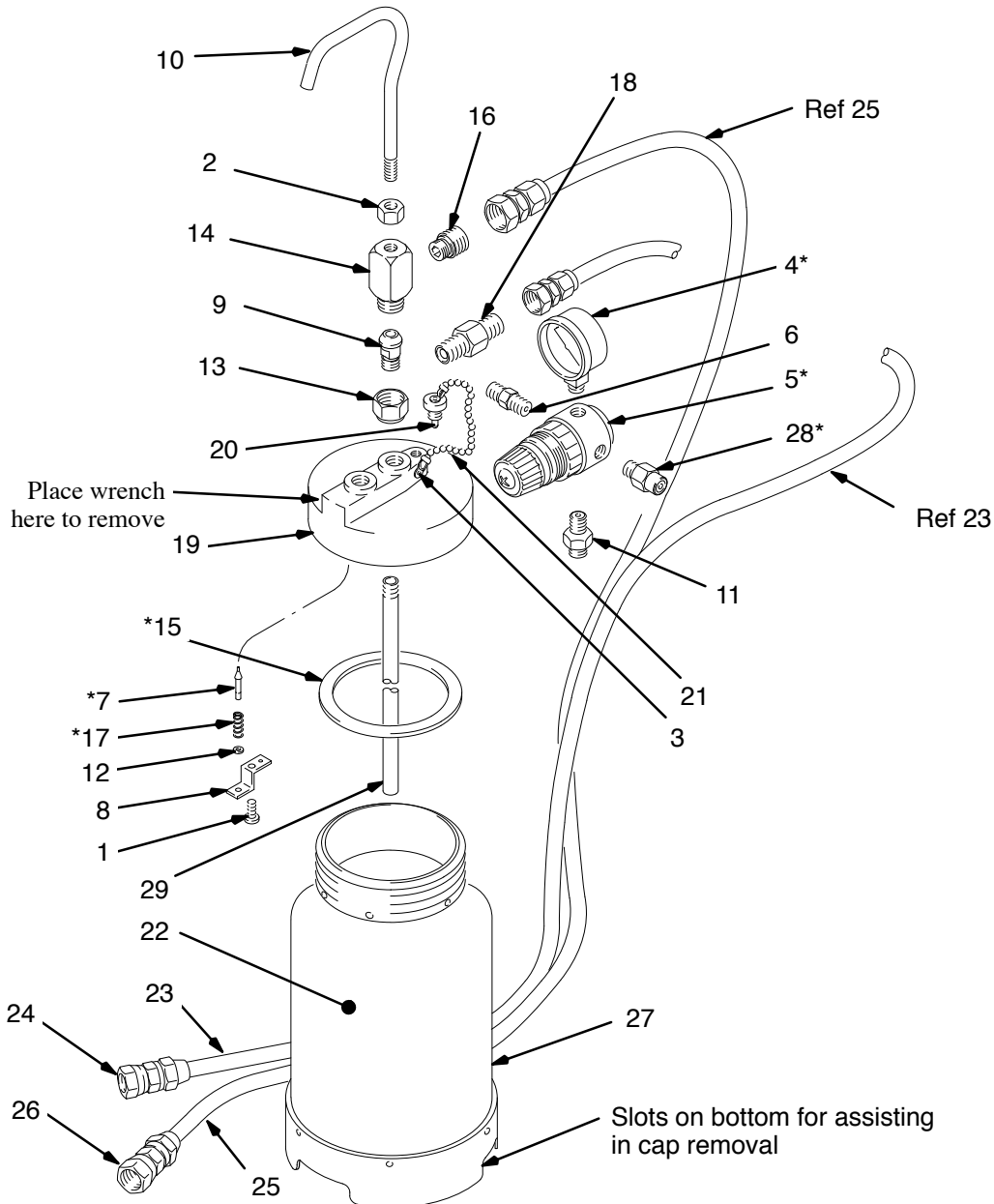
NOTE: When replacing gasket (15), remove old adhesive from inside lid (19). Apply new adhesive (3M #847 Scotch-Grip® or equivalent) to the lid when installing the new gasket.

5. Remove the air cap from the spray gun and turn off the air regulator (5). Fill the cup (27) with solvent, replace lid (19), and close the air control valve (20).

6. Turn on the air supply. Set the air regulator (5) at 10 psi (0.7 bar) and hold the spray gun trigger open until clean solvent comes from the gun.

7. Remove the solvent from the system and wipe the equipment with a solvent dampened rag.

Parts



Parts

Model 214–627, Series B

0–50 psi (0–3.5 bar) Regulated Pressure Range

Includes items 1–29

Model 235–117, Series A

0–15 psi (0–1 bar) Regulated Pressure Range

Includes items 1–29

Ref. No.	Part No.	Description	Qty.	Ref. No.	Part No.	Description	Qty.
1	100–032	SCREW, rd hd; 6–32 x 1/4"	1	23	212–005	HOSE, air; 1/4" ID, 6' (1.83 m)	
2	100–188	NUT, hex; 5/16–18	1			long; cpld 1/4 npsm(fbe) swivel;	
3	101–855	SCREW, rd hd, self-tapping; No. 4 x 3/16"	2			Includes item 24	1
4 *	104–655	GAUGE, pressure; <i>Model 214–627 only</i>	1	24	104–415	.COUPLING	2
	111–500	GAUGE, pressure; <i>Model 235–117 only</i>	1	25	212–006	HOSE, fluid; 1/4" ID, 6'–8" (2.03 m)	
5 *	104–815	REGULATOR, air; adjustable See Manual 308–167; <i>Model 214–627 only</i>	1			long; cpld 3/8 npsm(fbe) swivel;	
	111–501	REGULATOR, air; adjustable; <i>Model 235–117 only</i>	1	26	104–084	.COUPLING	2
				27	214–602	CUP	1
				28*†	214–691	VALVE, relief; 50 psi (3.5 bar).	1
				29	172–881	TUBE	1
6	183–697	NIPPLE; 1/8 npt	1	<i>306 & 307 numbers in description refer to separate instruction manuals.</i>			
7*	172–593*	VALVE, check	1	* <i>Recommended "tool box" spare parts. Keep on hand to reduce down time.</i>			
8	172–594	BRACKET, check valve	1				
9	172–613	ADAPTER, handle	1				
10	172–620	HANDLE	1				
11	172–621	ADAPTER, 7/16 unf(m) x 1/8 npt(m)	1				
12	172–622	WASHER, flat; 1/4"	1				
13	172–679	NUT, hex; 3/8" x 1/8"	1				
14	172–680	ELBOW; 1/2 uns(f) x 3/8 npsm(m)	1				
15*	183–337	GASKET, cap	1				
16	172–682	ADAPTER; 3/8 npsm(m) x 1/2 uns(f)	1				
17*	172–684	SPRING, compression	1				
18†	183–696	TEE; 1/4 npt(m) x 1/4 npt(m) x 1/8 npt(f)	1				
19	174–069	LID	1				
20	174–075	VALVE, air control	1				
21	174–100	CHAIN, ball; 3" (76.2 mm) long	1				
22	176–243	LABEL	1				

Kits

† Relief Valve Kit 218–925

Model 214–627, "Series A" cups must order this kit to replace the relief valve (item 28) and tee (item 18). The kit includes Relief Valve 214–691 and the appropriate tee. Series A Pressure Cups must have both the tee and relief valve replaced together for safety reasons.

Conversion Kit 235–115

To convert Model 214–627 Pressure Cup to Model 235–117 Pressure Cup. Kit includes the following parts.

Part No.	Description	Qty.
111–500	GAUGE, pressure	1
111–501	REGULATOR, air; adjustable	1

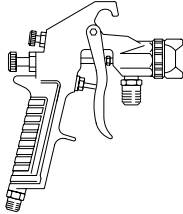
Accessories

Use Only Genuine Graco Parts and Accessories

Air Spray Guns

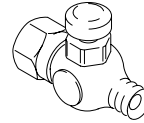
See the following manuals to select the appropriate gun for your application.

Manual No.	Model No.	Maximum Working Pressure
307-378	600	200 psi (14 bar)
307-379	700	200 psi (14 bar)
307-380	800	900 psi (62 bar)



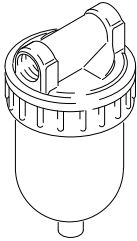
Air Adjusting Valve 205-090

100 psi (14 bar) Maximum Working Pressure
For controlling atomizing air to the gun. 1/4 npsm(m) inlet and 1/4 npsm(f) swivel outlet.



Air Line Filter 106-148

250 psi (17 bar) Maximum Working Pressure
Removes harmful dirt and contaminants from the compressed air supply. 3/8 npt inlet and outlet.



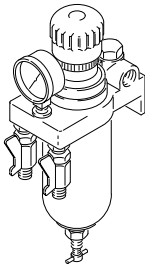
Buna-N Air Hose (with neoprene cover)

200 psi (14 bar) Maximum Working Pressure
With reusable couplings and compression sleeves. 5/16 in. (7.9mm) ID, 1/4 npsm (fbe) swivel.

Part No.	Length
210-866	15' (4.5 m)
210-867	25' (7.6 m)
210-868	50' (15.2 m)

Air Line Filter & Regulator 202-660

180 psi (12.6 bar) Maximum Working Pressure
1/2 npt(f) inlet and two 1/4 npt(m) outlets.



Nylon Fluid Hose 221-195

225 psi (15 bar) Maximum Working Pressure
1/4 in. (6 mm) ID, 6 ft. 8 in. (2.03 m) long, 3/8 npsm(fbe) swivel.

2 Quart Cup Liner 112-491

Packaged 20 in a box.
Polyethylene bag for easier cleanup.

Graco Phone Numbers

TO PLACE AN ORDER, contact your Graco distributor, or call this number to identify the distributor closest to you: **1-800-367-4023 Toll Free**

FOR TECHNICAL ASSISTANCE, service repair information or assistance regarding the application of Graco equipment: **1-800-543-0339 Toll Free**

The Graco Warranty and Disclaimers

WARRANTY

Graco warrants all equipment manufactured by it and bearing its name to be free from defects in material and workmanship on the date of sale by an authorized Graco distributor to the original purchaser for use. As purchaser's sole remedy for breach of this warranty, Graco will, for a period of twelve months from the date of sale, repair or replace any part of the equipment proven defective. This warranty applies only when the equipment is installed, operated and maintained in accordance with Graco's written recommendations.

This warranty does not cover, and Graco shall not be liable for, any malfunction, damage or wear caused by faulty installation, misapplication, abrasion, corrosion, inadequate or improper maintenance, negligence, accident, tampering, or substitution of non-Graco component parts. Nor shall Graco be liable for malfunction, damage or wear caused by the incompatibility with Graco equipment of structures, accessories, equipment or materials not supplied by Graco, or the improper design, manufacture, installation, operation or maintenance of structures, accessories, equipment or materials not supplied by Graco.

This warranty is conditioned upon the prepaid return of the equipment claimed to be defective for examination by Graco to verify the claimed defect. If the claimed defect is verified, Graco will repair or replace free of charge any defective parts. The equipment will be returned to the original purchaser transportation prepaid. If inspection of the equipment does not disclose any defect in material or workmanship, repairs will be made at a reasonable charge, which charges may include the costs of parts, labor and transportation.

DISCLAIMERS AND LIMITATIONS

THE TERMS OF THIS WARRANTY CONSTITUTE PURCHASER'S SOLE AND EXCLUSIVE REMEDY AND ARE IN LIEU OF ANY OTHER WARRANTIES (EXPRESS OR IMPLIED), INCLUDING WARRANTY OF MERCHANTABILITY OR WARRANTY OF FITNESS FOR A PARTICULAR PURPOSE, AND OF ANY NON-CONTRACTUAL LIABILITIES, INCLUDING PRODUCT LIABILITIES, BASED ON NEGLIGENCE OR STRICT LIABILITY. EVERY FORM OF LIABILITY FOR DIRECT, SPECIAL OR CONSEQUENTIAL DAMAGES OR LOSS IS EXPRESSLY EXCLUDED AND DENIED. IN NO CASE SHALL GRACO'S LIABILITY EXCEED THE AMOUNT OF THE PURCHASE PRICE. ANY ACTION FOR BREACH OF WARRANTY MUST BE BROUGHT WITHIN TWO (2) YEARS OF THE DATE OF SALE.

EQUIPMENT NOT COVERED BY GRACO WARRANTY

GRACO MAKES NO WARRANTY, AND DISCLAIMS ALL IMPLIED WARRANTIES OF MERCHANTABILITY AND FITNESS FOR A PARTICULAR PURPOSE, WITH RESPECT TO ACCESSORIES, EQUIPMENT, MATERIALS, OR COMPONENTS SOLD BUT NOT MANUFACTURED BY GRACO. These items sold, but not manufactured by Graco (such as electric motor, switches, hose, etc.) are subject to the warranty, if any, of their manufacturer. Graco will provide purchaser with reasonable assistance in making any claim for breach of these warranties.

Technical Data

Maximum Working Pressure	50 psi (3.5 bar)
Regulated Pressure Range	
<i>Model 214-627</i>	0-50 psi (0-3.5 bar)
<i>Model 235-117</i>	0-15 psi (0-1 bar)
Diameter	5.25 in. (133 mm)
Overall Height	17.75 in. (451 mm)
Weight	4 lb (1.8 kg)
Wetted Parts	Polyethylene, Aluminum, Nylon, Stainless Steel

Scotch-Grip® is a registered trademark of the 3M Company.

Manual Change Summary

This manual was revised to add 2 Quart Cup Liners, Part Number 112-491, to the accessories.

Sales Offices: Atlanta, Chicago, Dallas, Detroit, Los Angeles, Mt. Arlington (N.J.)
Foreign Offices: Canada; England; Korea; Switzerland; France; Germany; Hong Kong; Japan

GRACO INC. P.O. BOX 1441 MINNEAPOLIS, MN 55440-1441

PRINTED IN U.S.A. 307-318 4/78 Revised 6/94